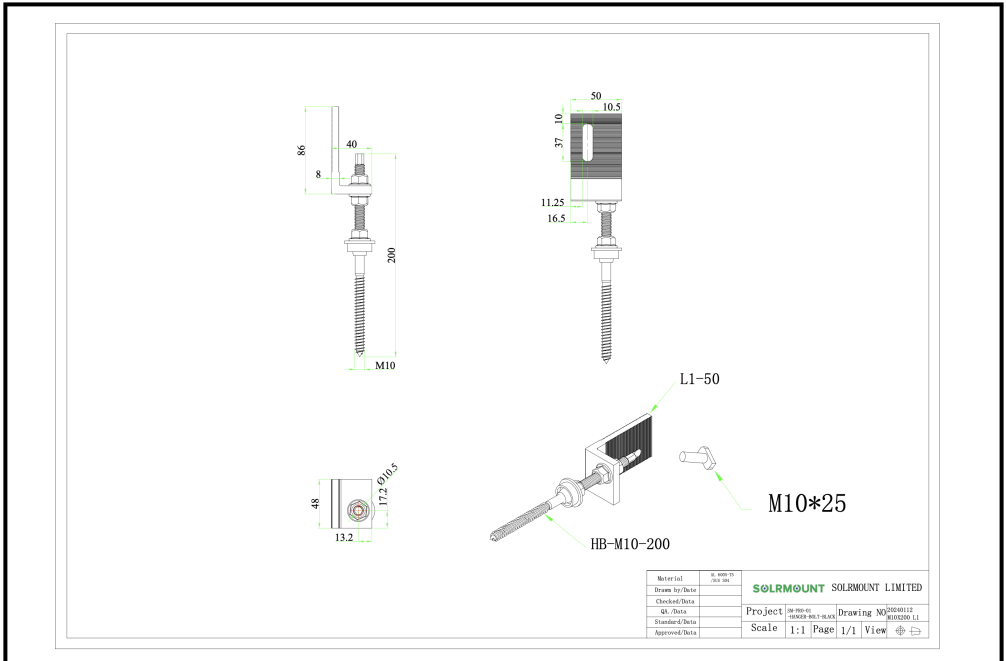


# SOLRMOUNT

Create Innovate Optimise

## Component SM-PRO-01-HANGER-BOLT-BLACK



## Technical Specification

Roof application	Pitch roof
Dimensions	L200*W50 mm
Weight	Theoretical weight 0.322kg
Colour	Black electrolysis & Black electrophoresis
Material	AL 6005-T5 & SUS304
Wind speed	<60m/s
Snow load	<1.4kn/m <sup>2</sup>
Standards	GB50797/AS NZS1170.2-2011 EN1991, ASCE7-10 JIS C 8955

